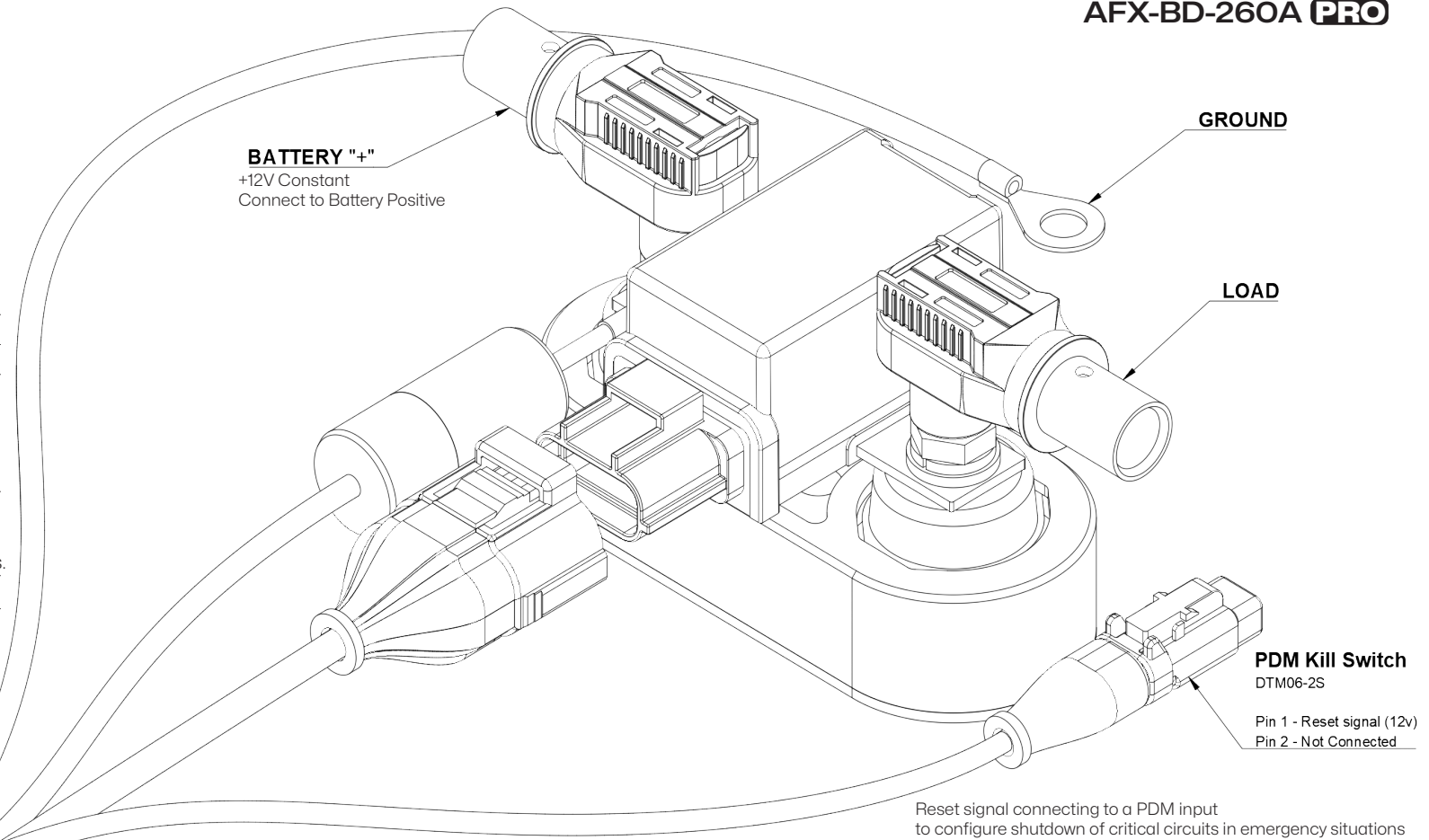


BATTERY DISCONNECT KIT

Contact Data

Rated Voltage	12VDC
Maximum switching voltage	16VDC
Limiting continuous current, load cable 50mm ²	
23°C	260A
85°C	190A
125°C	88A
Limiting making current, resistive load, cable 50mm ² , 23°C, ton/toff=0.5s/10min	1500A, >5 ops.
Contact Material	silver alloy

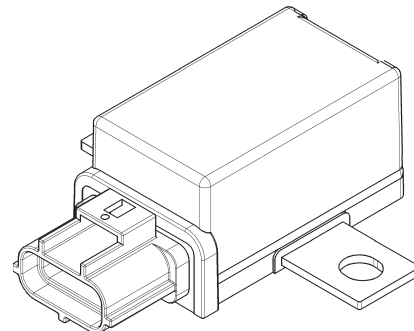


Relay Control

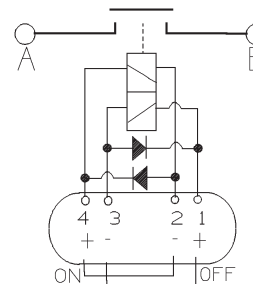
DTM06-3S

Pin 1 - SET
Pin 2 - 12V
Pin 3 - RESET

Momentary short Pin 1 - Pin 2 > Relay ON
Momentary short Pin 3 - Pin 2 > Relay OFF



Pin Assignment



Terminal	Function
4	Set Coil (+)
3	Reset Coil (-)
2	Set Coil (-)
1	Reset Coil (+)
A	Load Terminal
B	Load Terminal

Set = A and B get connected